



ZHEJIANG HANGCHA IMP. & EXP. CO., LTD.

Factory site: 666 Xiangfu Road,
Hangzhou, Zhejiang, China (311305)

Tel: +86-571-88926735 88926755
Fax: +86-571-88926789 88132890

sales@hcforklift.com
www.hcforklift.com



Follow us on
Facebook



Follow us on
YouTube



Follow us on
WeChat



Download "Hangcha
Forklift" App



ISO14001
ISO14001:2015



ISO9001
ISO9001:2015



HANGCHA trucks conform
to the European Safety
Requirements.

2021 VERSION 4/COPYRIGHT 2021/08

HANGCHA GROUP CO., LTD. reserves the right to make any changes without notice concerning colors, equipment, or specifications detailed in this brochure, or to discontinue individual models. The colors of trucks, delivered may differ slightly from those in brochures.



AE Series Electric Forklift

with capacities of 1,500 to 3,500kg

The World of Hangcha
SINCE 1956



AE Series Electric Forklift

Independently developed by Hangcha on the basis of more than 30 years of electric forklift research and development and accumulated manufacturing technology, the AE series electric forklifts are a new series of high-efficiency and energy-saving electric counterweight forklifts with a new structure that represents a breakthrough over the traditional design concept. The research and development of control and power systems are innovated and the product exterior, ergonomics, reliability, maintenance and other aspects are optimized, so that the performance of the vehicle is greatly improved.

Appearance

- / With a profile formed by a combination of straight lines and streamlined curved surfaces, the truck is compact and maneuverable and has simple and sturdy appearance.

Comfort

- / The cover is sealed with a good effect of rain resistance.
- / The enlarged brake pedal and appropriate regenerative braking function can effectively reduce the driver's fatigue.
- / The wide-view mast with optimized design is unlikely to obstruct the operator's sight. The enlarged opening size of the fork carriage enables a wider view.



Maintenance

- / The front-opening hood design makes charging and maintenance easier.
- / The electric control parts, fuse, etc. can be accessed easily and maintained without tools.
- / The side-mounted oil tank facilitates liquid level check and oil addition.

Stability

- / The center of gravity is moved back by placing the battery at the rear of the truck, it can ensure the longitudinal stability.

Advancement

- / The Y2 (Enpower controller) series uses 80V voltage system, both the traction and oil pump use permanent magnet synchronous motors, which have high efficiency, strong power and low energy consumption.
- / The controller, oil tank and pump motor are all placed at the front to enable small pipeline length and less energy loss.
- / The high-frequency MOSFET integrated controller ensures smooth and accurate traveling and lifting control, and has excellent speed regulation performance, good performance of electronic control matching the motor, functions of regenerative braking, reverse braking and anti-sliding on ramps, etc., and high safety and reliability.

Safety

- / The optional lowering lock function can improve the safety greatly when the driver leaves the seat.
- / The soft landing and electronic control lifting buffering (Opt.) are all provide to protect goods effectively.
- / The handbrake can be optionally equipped with an alarm buzzer to prompt the driver to pull up the handbrake before leaving the truck.



The truck is ergonomically designed to provide a good view and a large operating space



Both the traction and oil pump adopt permanent magnet synchronous motors for the Enpower controller



The battery can be removed from the rear enables the battery to be replaced more flexibly (Only for the lead-acid battery)



Multifunctional color screen instrument with graphical interface design is simple and intuitive for operator



Battery is placed at the rear of the truck



Standard Specification

- / Duplex mast
- / Silent gear pump
- / Multi-function color-screen instrument
- / LED headlight
- / Integral rubber pedal pad
- / Dual multi-way valve
- / Stamping front pedal
- / Integral ABS boarding pedal
- / Integral stamped side panel and hood
- / Soft landing
- / Speed mode selection
- / DC-DC converter
- / Emergency power off switch
- / Reverse buzzer
- / Load sensing steering system
- / Traction pin
- / Rearview mirror

Options

- / Large-capacity battery
- / Charger
- / Left and right rear view mirrors
- / Reverse armrest
- / Widening or heightening load backrest
- / Forks of other lengths
- / Rear work light
- / Front dual tire
- / Super elastic solid tire
- / Non mark solid tire
- / Triple multi-way valve
- / Quadruple multi-way valve
- / Built-in sideshifter
- / Other attachments
- / Maintenance-free lead carbon battery
- / PVC transparent canopy
- / PVC transparent cover plate for the battery lifting port on the overhead guard
- / Front windshield
- / Cab
- / Warning light
- / Blue light
- / OPS system

Lead-acid specification						
Capacity (Ah/5h)	1.5-mini2t 80V (AEY2)	1.5-mini2t 48V (AEJ2/D2/D1)	2.0-2.5t 80V (AEY2)	2.0-2.5t 48V (AEJ2/D2/D1)	3.0-3.5t 80V (AEY2)	3.0-3.5t 80V (AEJ2/D2/D1)
220 (lead acid)	●	—	—	—	—	—
240 (lead acid)	○	—	—	—	—	—
300 (lead acid)	○	—	●	—	—	—
350 (lead acid)	—	—	○	—	—	—
400 (lead acid)	—	—	—	—	●	—
420 (lead acid)	—	●	—	—	—	—
440 (lead acid)	—	—	—	—	○	—
480 (lead acid)	—	—	—	—	○	●
500 (lead acid)	—	○	—	—	—	—
640 (lead acid)	—	—	—	●	—	—
660 (lead acid)	—	—	—	○	—	—

● Std. ○ Opt. — Null.

Lithium specification			
Capacity (Ah/5h)	1.5-mini2t 80V	2.0-2.5t 80V	3.0-3.5t 80V
125 (Lithium)	●	—	—
202 (Lithium)	○	●	—
271 (Lithium)	○	○	●
404 (Lithium)	—	○	○
542 (Lithium)	—	—	○

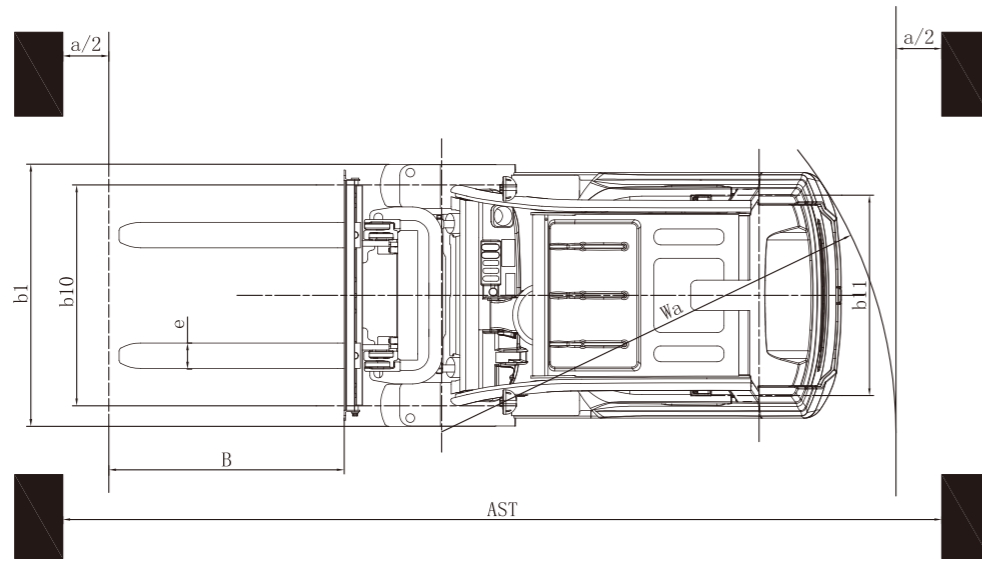
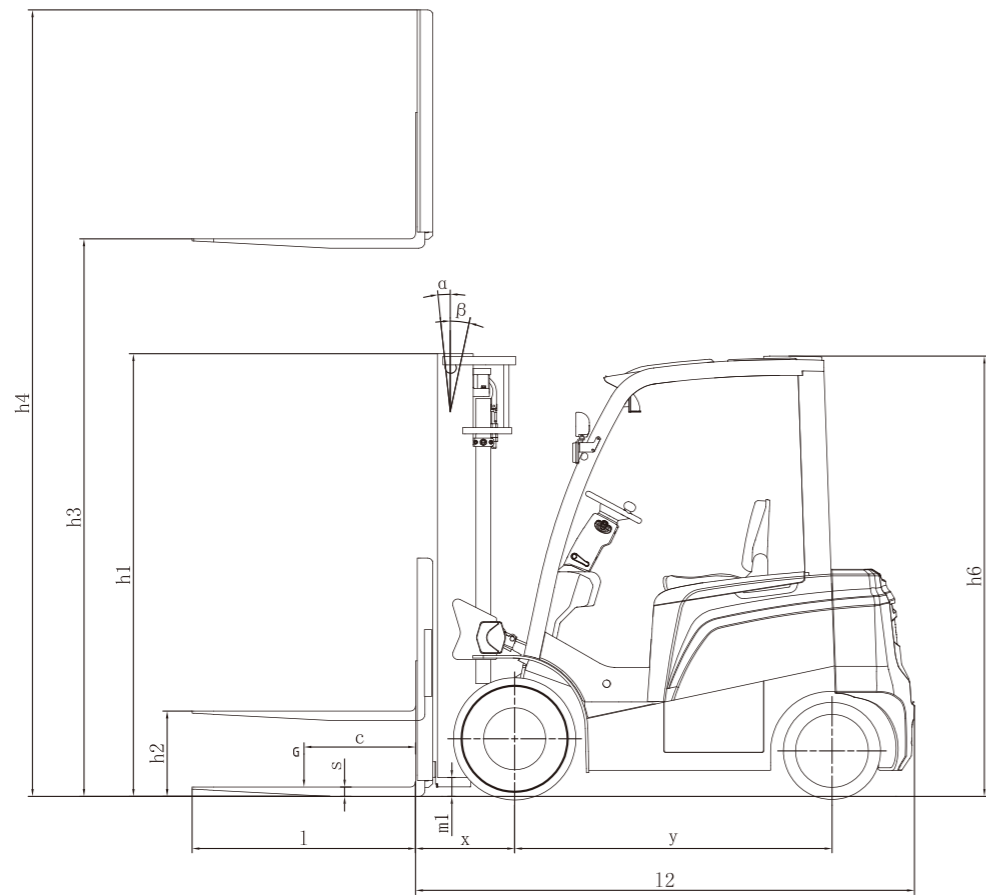
● Std. ○ Opt. — Null.





1.5t AE Series Mast Specification

Type	Model	Lifting height	Lowered overall height	Overall height		Free lifting height		Tilting range	Capacity(Mast vertical to ground)	
				Without backrest	With backrest	Without backrest	With backrest		Load center@500mm	
				mm	mm	mm	mm	mm	mm	FWD/BWD
Duplex wide view mast	XPD15M200	2000	1475	2538	2955	135	135	6/12	1500	1500
	XPD15M250	2500	1725	3038	3455	135	135	6/12	1500	1500
	XPD15M270	2700	1825	3238	3655	135	135	6/12	1500	1500
	XPD15M300	3000	1975	3538	3955	135	135	6/12	1500	1500
	XPD15M330	3300	2125	3838	4255	135	135	6/12	1500	1500
	XPD15M350	3500	2225	4038	4455	135	135	6/12	1500	1500
	XPD15M360	3600	2325	4138	4555	135	135	6/12	1500	1500
	XPD15M370	3700	2375	4238	4655	135	135	6/12	1500	1500
	XPD15M400	4000	2575	4538	4955	135	135	6/12	1500	1500
	XPD15M430	4300	2725	4838	5255	135	135	6/6	1500	1500
	XPD15M450	4500	2825	5038	5455	135	135	6/6	1500	1500
Duplex full-free mast	XPD15M480	4800	2975	5338	5755	135	135	6/6	1400	1500
	XPD15M500	5000	3075	5538	5955	135	135	6/6	1350	1400
	XPD15U200	2000	1490	2559	2945	931	545	6/6	1500	1500
	XPD15U250	2500	1740	3059	3445	1181	795	6/12	1500	1500
	XPD15U270	2700	1840	3259	3645	1281	895	6/12	1500	1500
	XPD15U300	3000	1990	3559	3945	1431	1045	6/12	1500	1500
	XPD15U330	3300	2140	3859	4245	1581	1195	6/12	1500	1500
	XPD15U350	3500	2240	4059	4445	1681	1295	6/12	1500	1500
Triplex full-free mast	XPD15U360	3600	2290	4159	4545	1731	1345	6/12	1500	1500
	XPD15U370	3700	2340	4259	4645	1781	1395	6/12	1500	1500
	XPD15U400	4000	2540	4559	4945	1981	1595	6/12	1500	1500
	XPD15N430	4300	2040	4869	5255	1481	1095	6/6	1500	1500
	XPD15N450	4500	2090	5069	5455	1531	1145	6/6	1500	1500
	XPD15N480	4800	2240	5369	5755	1681	1295	6/6	1400	1500
	XPD15N500	5000	2340	5569	5955	1781	1395	6/6	1400	1450
Triplex full-free mast	XPD15N550	5500	2540	6069	6455	1981	1595	3/6	1250	1350
	XPD15N600	6000	2790	6600	6955	2200	1845	3/6	1100	1150



AST = $a + Wa + x + B$ $a < 200\text{mm}$

